

# 5 Day\* Quick-Ship Program



The W&C **5 Day\* Quick-Ship program** is here to provide you with a quickly sourced suspension option to help meet your needs. Currently available is the SL08 model at a 8,000 lb. capacity with frame widths ranging from 33.5 - 34.5 inches, ride heights ranging from 13 - 16 inches, the option to pre-plumb, and wheel-end lube choices of none, standard, or synthetic oil. Contact your local WC representative to place a Quick-Ship order.

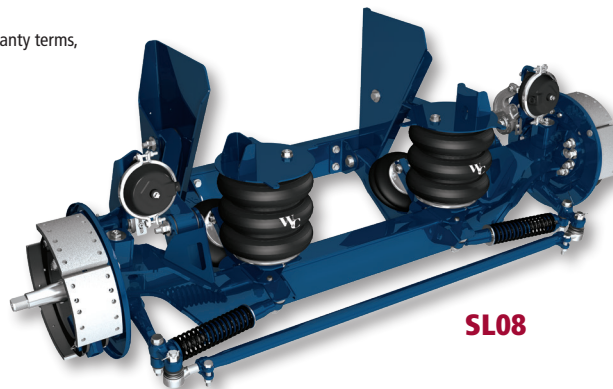
**Maximum order quantity of two axles per customer per week.**

SL08 Quick Ship Base Model	
<b>Model Type</b>	SL08 3" Drop Axle, Westport Ends
<b>Brake Size</b>	325 mm x 100 mm Brakes
<b>Chamber Size</b>	Type 12 Chamber
<b>Steer Lock</b>	No Steer Lock
<b>Dust Shields</b>	Dust Shields Installed
<b>Frame Mounting</b>	Short Arm
<b>Hub with Drum Option</b>	Cast Hub / Cast Drum
<b>Rail Height, Hanger</b>	6" Rail Height
<b>Tone Ring</b>	ABS Tone Ring N/A
<b>Wheel-End Fasteners</b>	Wheel-End Fasteners Included
<b>Hub Warranty**</b>	Standard Hub Warranty

OPTIONS	
<b>Ride Height Range</b>	13" - 14", 14" - 15", 15" - 16"
<b>Frame Width</b>	33.5" Frame Width
	34.0" Frame Width
	34.5" Frame Width
<b>Pre-Plumbing</b>	No Plumbing
	Electric Over Air (Normally Closed) - No Controls
<b>Lubrication</b>	No Lube
	Standard Oil
	Synthetic Oil

\* 5 days from PO receipt to FOB dock.

\*\*Contact your local Watson & Chalin representative for complete warranty terms, conditions and limitations.



**SL08**

*Actual product performance may vary depending upon vehicle configuration, operation, service and other factors. All applications must comply with applicable specifications from Watson & Chalin and the respective vehicle manufacturer. Contact Watson & Chalin for additional details regarding specifications, applications, capacities, and operation, service and maintenance instructions.*

**Contact Watson & Chalin at 972.547.6020 for additional information.**



**Watson & Chalin**  
 725 E. University Drive, McKinney, Texas 75069  
 972.547.6020 • 800.445.0736 • Fax 972.542.0097  
[www.watsonsuspensions.com](http://www.watsonsuspensions.com)



W&C246 04-21 Watson and Chalin is a brand of Hendrickson

© 2020 - 2021 Watson & Chalin Manufacturing Inc. All Rights Reserved. All trademarks shown are owned by Watson & Chalin Manufacturing Inc., or one of its affiliates, in one or more countries. Information contained in this literature was accurate at the time of publication. Product changes may have been made after the copyright date that are not reflected.

Printed in United States of America