

PRODUCT UPDATE



Bushing Change

LIT NO: W&C251
DATE: 05/30/19

REVISION: A

Change Description

Tri-Functional Bushing part number 17993-112 has been replaced by 17993-125 to create a common pivot connection bushing on all new Model TA, TY and TL9100 Series trailer air suspensions. Bushing part number 17993-125 has been in use in various applications since 2011, and it has the same performance as 17993-112.

Parts Affected

New suspensions: (2) bushings per suspension
Aftermarket Trailing Arm (Beam): (1) bushing per beam
Common Service Kit Numbers: HPPT16079, HPPT16116, SRK64, SRK64/2, SRK64-01, SRK64-01/2, SRK65, SRK75

Model Affected

Watson & Chalin Model TA, TY and TL9100 Series trailer air suspensions

Effective Dates

Above-referenced new suspensions built and service kits sold after April 30, 2019

Installation Method

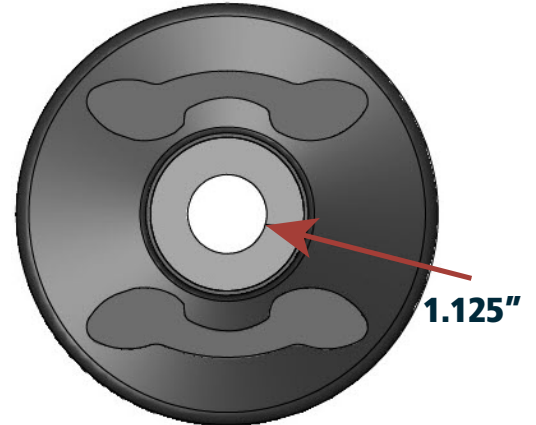
Bushing installation method has not changed. For aftermarket service purposes, Watson & Chalin recommends both left and right bushings be replaced with the same part number.

Parts Availability

17993-125 bushings are in stock at Watson & Chalin for aftermarket service. You may use up your current stock of 17993-112 bushings before ordering 17993-125 bushings.

Benefits

One bushing to stock so that it can be used in different types of pivot connections. The 1.125" capscrew, originally intended for 17993-112 bushings, can also be used for 17993-125 bushings, but will require one Delrin liner (part number A-2068-1) per bushing. The above-referenced service kit numbers will include the Delrin liners.



**17993-112
Previous Bushing**



**17993-125
Current Bushing**

*Actual product performance may vary depending upon vehicle configuration, operation, service and other factors.
All applications must comply with applicable specifications from Watson & Chalin and the respective vehicle manufacturer.
Contact Watson & Chalin for additional details regarding specifications, applications, capacities, and operation, service and maintenance instructions.*

Contact Watson & Chalin at **972.547.6020** for additional information.



Watson & Chalin
725 E. University Drive, McKinney, Texas 75069
972.547.6020 • 800.445.0736 • Fax 972.542.0097
www.watsonsuspensions.com

