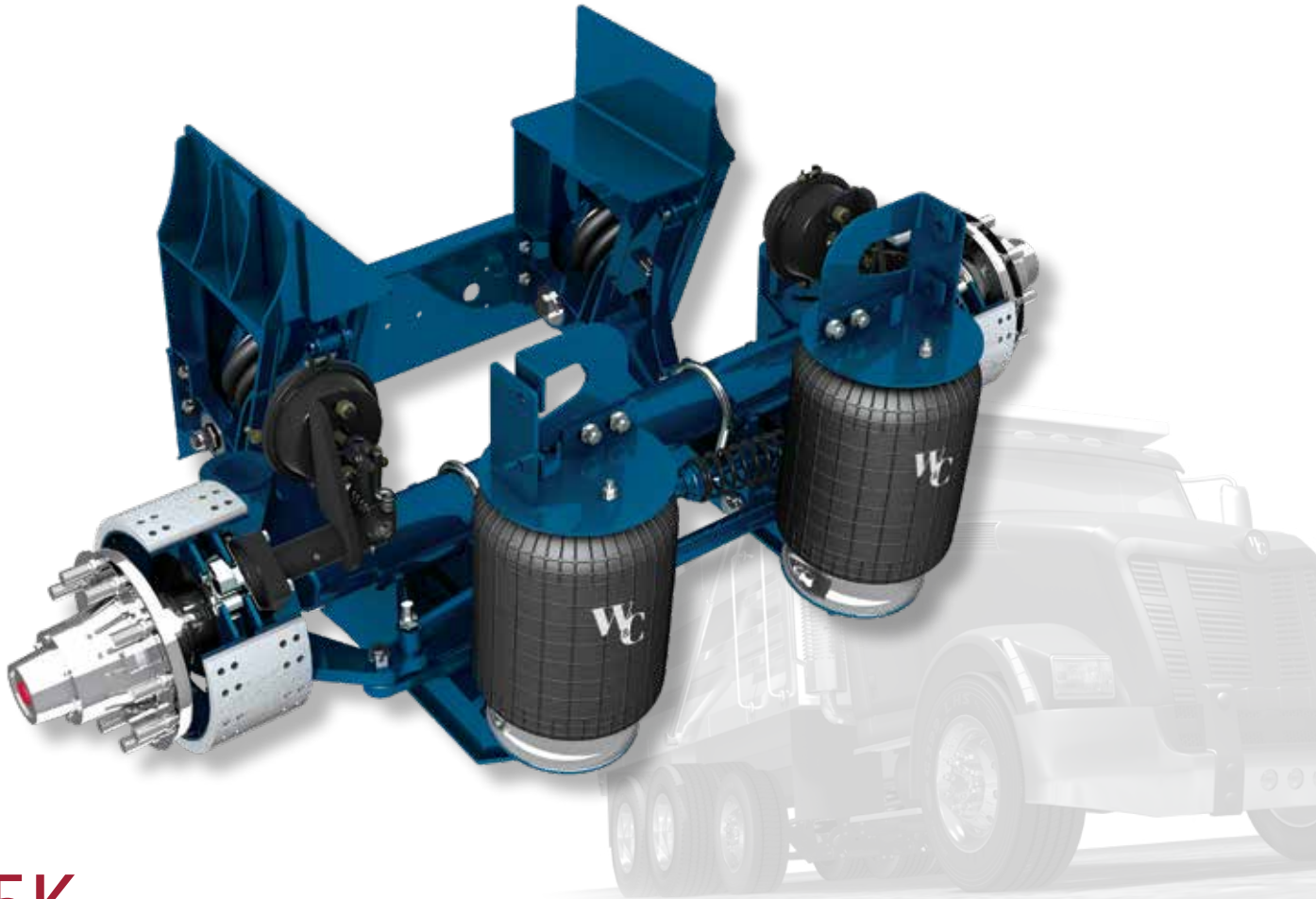


SL25K

STEERABLE LIFT AXLE SUSPENSION SYSTEM

SL



SL25K

The **SL25K** steerable lift axle suspension delivers our highest rated capacity and is designed for dual or super single tires for truck and trailer demanding applications.

- 25,000 pound suspension capacity
- Ride heights up to 14 inches
- Package space: 25 inches
- Compliant with Ontario, Canada "SPIF" regulations
- Custom engineering available for specific customer requirements
- 5-year limited warranty*

* Contact your local W&C representative for complete warranty terms, conditions and limitations.



For more information, call 800.445.0736

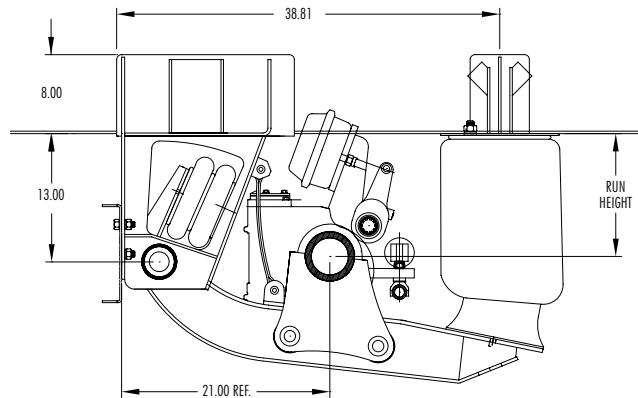
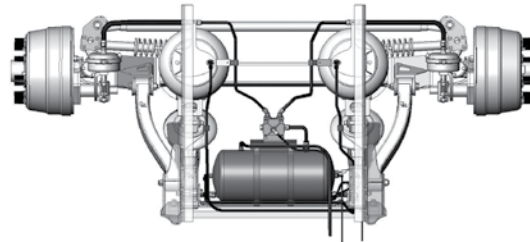


Watson & Chalin is a brand of Hendrickson

Value-added options and critical dimensions

Pre-Plumbing System

- Fewer fittings reduces leak potential
- Better response when air is engaged
- Helps save time and money during the installation
- 100 percent leak tested at the factory



Actual product performance may vary depending upon vehicle configuration, operation, service and other factors.
 All applications must comply with applicable specifications from Watson & Chalin and the respective vehicle manufacturer.
 Contact Watson & Chalin for additional details regarding specifications, applications, capacities, and operation, service and maintenance instructions.

Contact Watson & Chalin at **972.547.6020** for additional information.



Watson & Chalin
 725 E. University Drive, McKinney, Texas 75069
 972.547.6020 • 800.445.0736 • Fax 972.542.0097
www.watsonsuspensions.com

