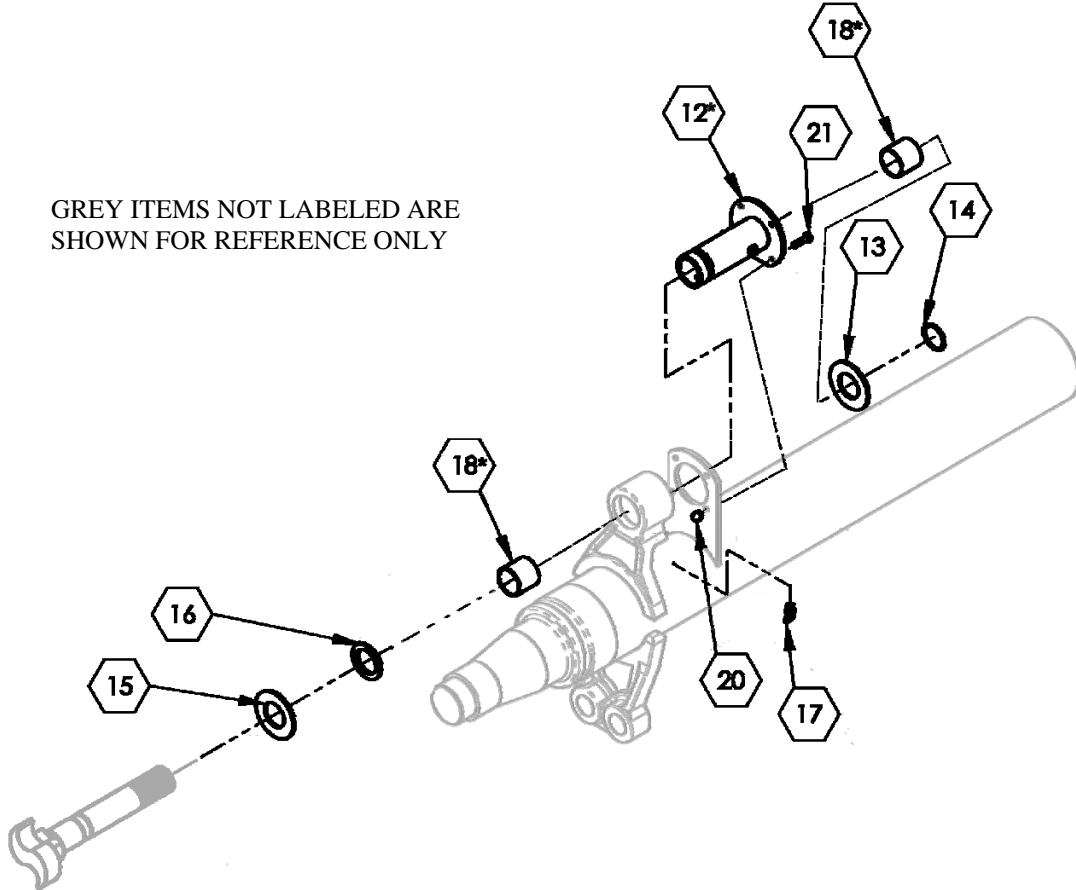


BBAK09

**16.5X7 BRAKE BRACKET ASSEMBLY KIT
 INTEGRA-IMT
 (TI250-302T SERIES 2 PIECE SPIDER)**

**TI SERIES
 IMT**

GREY ITEMS NOT LABELED ARE SHOWN FOR REFERENCE ONLY



*BBAK09 INCLUDES ITEM 12 (WHICH HAS (2) ITEMS 18 INSTALLED)
 *BBAK09-LC INCLUDES ITEMS 18 AND **NO** ITEM 12
 REF: WATSON & CHALIN AXLE & BRAKE ASSEMBLY DRAWING 18078-EX

PARTS LIST

NO	QTY PER BRAKE	PART #	DESCRIPTION	NO.	QTY PER BRAKE	PART #	DESCRIPTION
12*	1	18078-022K	CAMSHAFT ENCLOSURE BRKT	17	1	407102	GREASE FITTING
13	1	403121	CAMSHAFT SPACER WASHER	*18	2	405134	CAM ENCLOSURE BUSHING
14	1	214108	CAM RETAINING RING	20	4	10027	.25 UNC LOCKNUT
15	1	403107	CAMSHAFT SPACER WASHER	21	4	10040	CAPSCREW .25 X 1.00 UNC
16	1	408101	SPIDER SEAL				

*ITEM 18 (CAM ENCLOSURE BUSHINGS) PART NUMBER (405134) ARE SOLD SEPARATELY OR THEY (2) ARE INCLUDED WITH ITEM 12

REV 10.21.2009



Watson Suspension Systems

725 E. University Drive • McKinney, Texas 75069 • (800) 445-0736 • (972) 547-6020 • Fax (972) 542-0097