

4

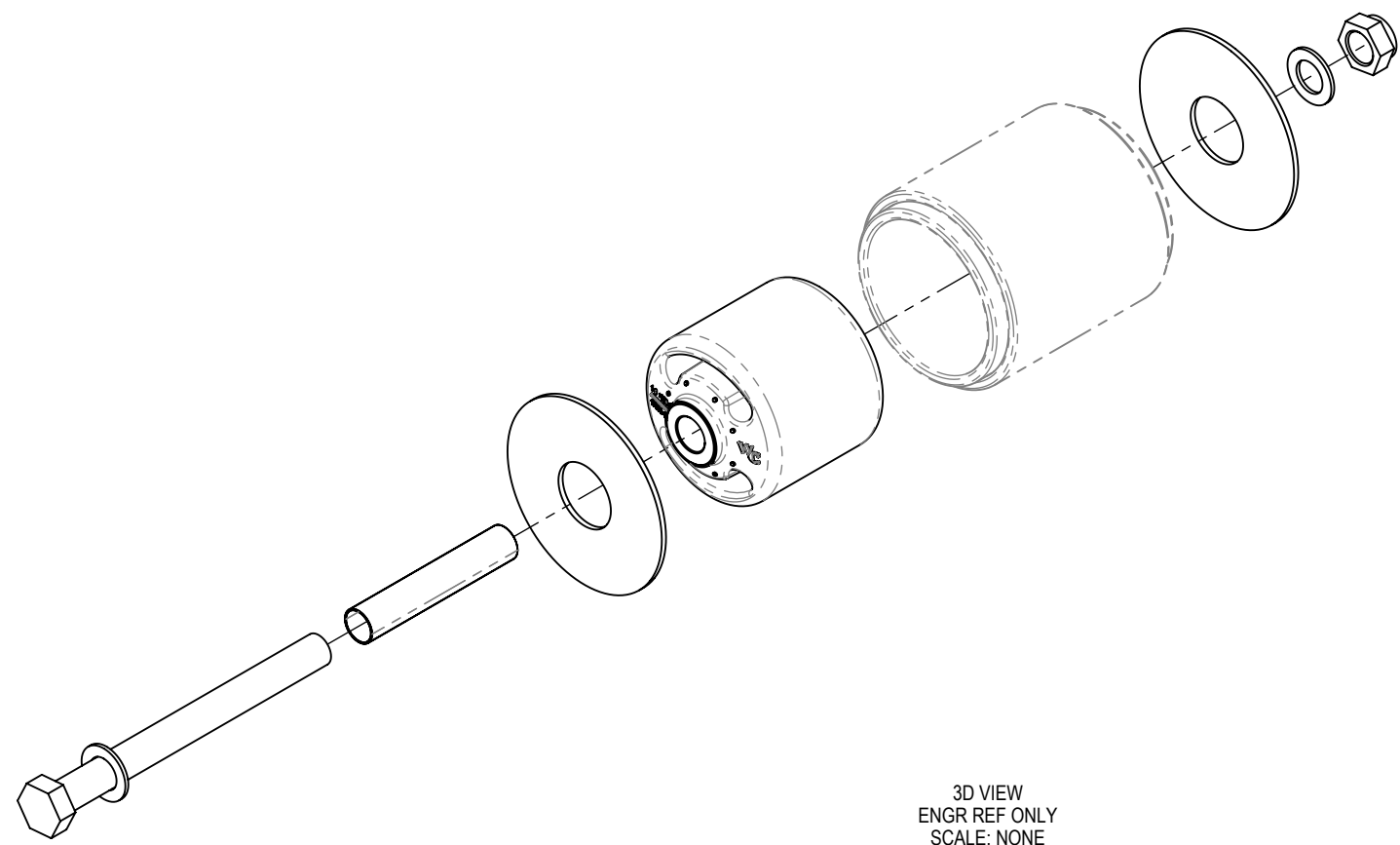
3

2

1

B

B



A

A

4

3

2

1

-	-	-	-	-	-
B	UPDATED DRAWING AND MODEL	410102	04/26/2019	EFR	-
A	NEW DRAWING	C-5812	09/23/2008	DRB	-
REV.	DESCRIPTION	CN	DATE	DRAWN	CHECK
WATSON AND CHALIN MANUFACTURING INC 725 EAST UNIVERSITY DRIVE, MCKINNEY, TEXAS 75069					
UNLESS OTHERWISE SPECIFIED DIMENSIONS ARE IN INCHES		ALL WATSON AND CHALIN INTELLECTUAL PROPERTY & PROPRIETARY INFORMATION IS PROTECTED BY U.S. & INTERNATIONAL COPYRIGHT LAWS. ANY USE WITHOUT THE EXPRESS WRITTEN PERMISSION OF WATSON AND CHALIN IS PROHIBITED.			
ANGLES ± 1.0°	X.X ± 0.1	X.XX ± 0.06	X.XXX ± 0.030	DESCRIPTION: TY BUSHING REPLACEMENT KIT	
INTERPRET DIMENSIONS AND TOLERANCES PER ASME Y14.5-2009		THIRD ANGLE PROJECTION PER ASME Y14.3-2013			
		DWG NO.: SRK75			
DATE: 09/23/2008		SHEET NO.: 1 OF 2		SHEET SCALE: NTS	
SHEET SIZE: B					

4

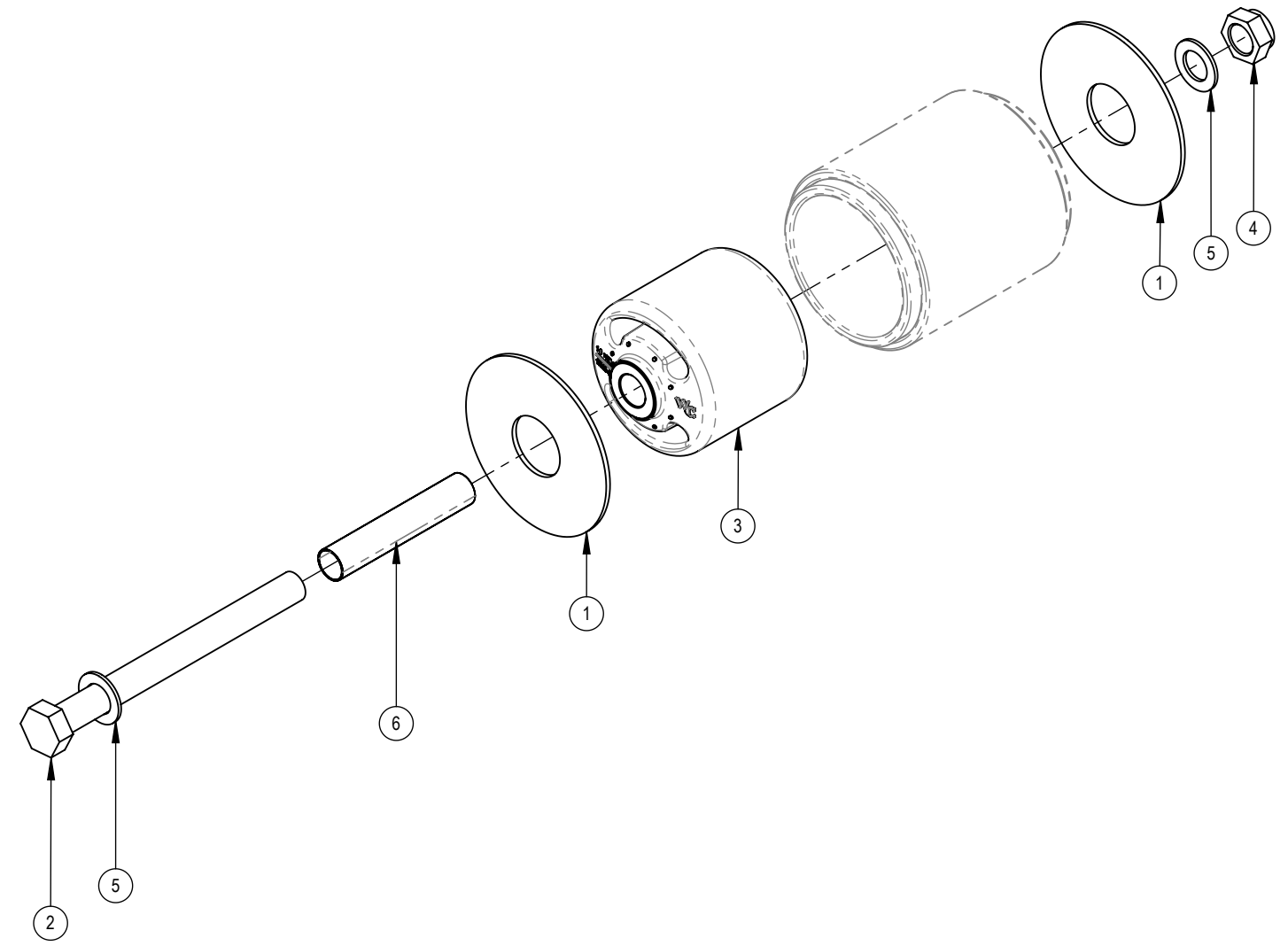
3

2

1

TABLE 1			
ITEM NO.	MAKE FROM	DESCRIPTION	SRK75
1	17183	HANG. SPACER WASHER (NYLON)	4
2	11602	CAPSCREW 1.12X12.0UNF GR	2
3	17993-125	BUSHING MULTIFNC 1.25ID	2
4	10023	1.125 LOCKNUT UNF GR8	2
5	10045	WASHER, FLAT 1.19X2.00	4
6	A-2068-1	5A-2068-1	2
7	17993-LUBE *	LUBE PACKET FOR BUSHING	1
WEIGHT (LBS.)			21.00

* NOT SHOWN



B

B

A

A

4

3

2

1

WATSON AND CHALIN MANUFACTURING INC
725 EAST UNIVERSITY DRIVE, MCKINNEY, TEXAS 75069

UNLESS OTHERWISE SPECIFIED DIMENSIONS ARE IN INCHES

ANGLES	X.X	X.XX	X.XXX
± 1.0°	± 0.1	± 0.06	± 0.030

INTERPRET DIMENSIONS AND TOLERANCES PER ASME Y14.5-2009

THIRD ANGLE PROJECTION PER ASME Y14.3-2013

ALL WATSON AND CHALIN INTELLECTUAL PROPERTY & PROPRIETARY INFORMATION IS PROTECTED BY U.S. & INTERNATIONAL COPYRIGHT LAWS. ANY USE WITHOUT THE EXPRESS WRITTEN PERMISSION OF WATSON AND CHALIN IS PROHIBITED.

DESCRIPTION:
TY BUSHING REPLACEMENT KIT

DWG NO.: SRK75

DATE: 09/23/2008 | SHEET NO.: 2 OF 2 | SHEET SCALE: 1:6 | SHEET SIZE: B