

4

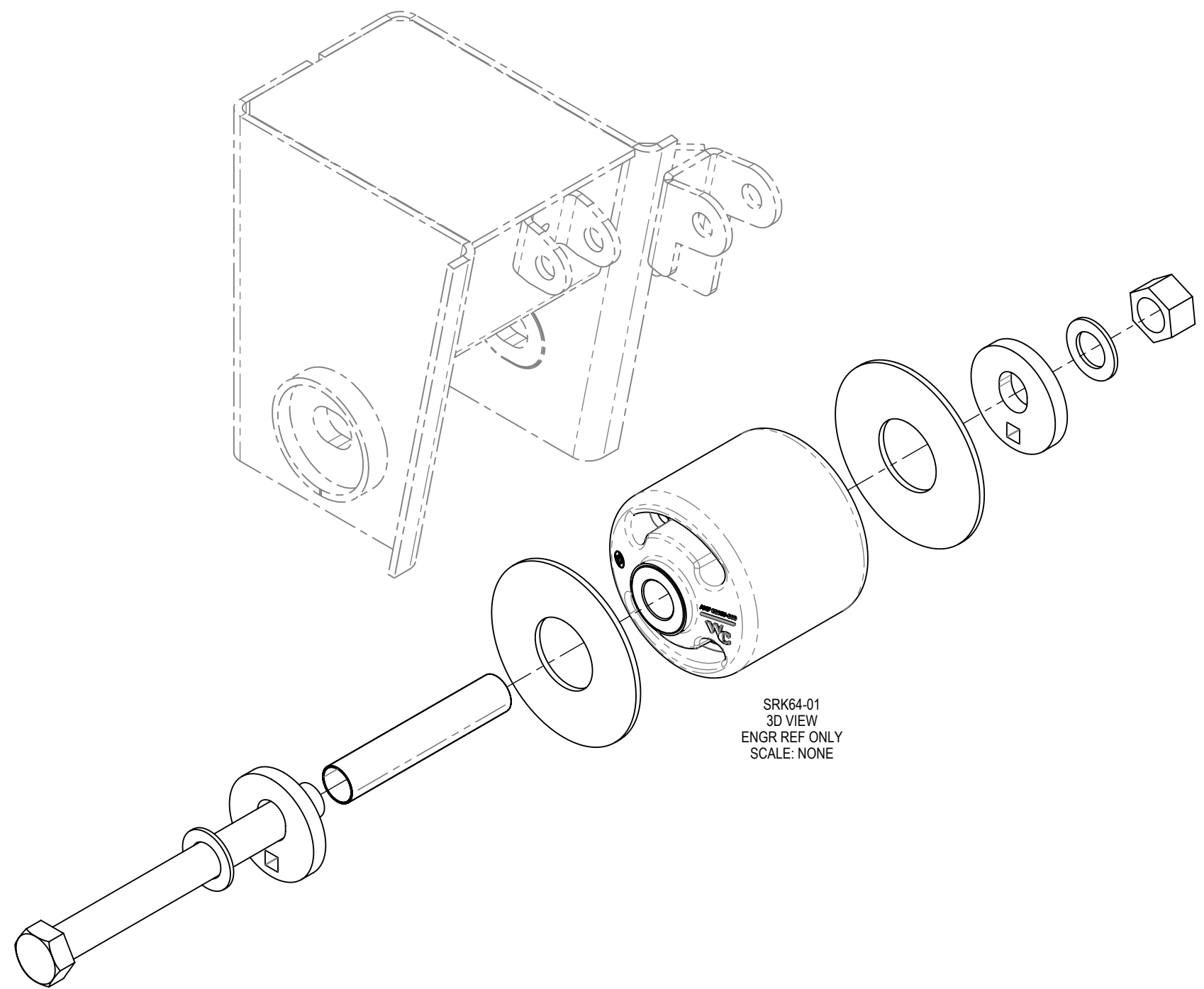
3

2

1

B

B



SRK64-01
3D VIEW
ENGR REF ONLY
SCALE: NONE

NOTES (UNLESS OTHERWISE SPECIFIED):

- 1. SRK64-01 SHOWN.

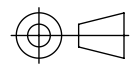
G	UPDATED MODEL AND DRAWING	410102	04/23/2109	EFR	CBP
F	UPDATED MODEL AND DRAWING	402707	10/16/2017	EFR	CBP
E	UPDATED MODEL AND DRAWING	402022	11/09/2016	EFR	CBP
REV.	DESCRIPTION	CN	DATE	DRAWN	CHECK

WATSON AND CHALIN MANUFACTURING INC
725 EAST UNIVERSITY DRIVE, MCKINNEY, TEXAS 75069

UNLESS OTHERWISE SPECIFIED
DIMENSIONS ARE IN INCHES
ANGLES ± 1.0° | X.X ± 0.1 | X.XX ± 0.06 | X.XXX ± 0.030
INTERPRET DIMENSIONS AND
TOLERANCES PER ASME Y14.5-2009
THIRD ANGLE PROJECTION
PER ASME Y14.3-2013

ALL WATSON AND CHALIN INTELLECTUAL PROPERTY & PROPRIETARY
INFORMATION IS PROTECTED BY U.S. & INTERNATIONAL COPYRIGHT
LAWS. ANY USE WITHOUT THE EXPRESS WRITTEN PERMISSION OF
WATSON AND CHALIN IS PROHIBITED.

DESCRIPTION:
BUSHING REPLACEMENT PARTS



DWG NO.: **SRK64**
DATE: 10/23/2006 | SHEET NO.: 1 OF 2 | SHEET SCALE: NTS | SHEET SIZE: B

4

3

2

1

A

A

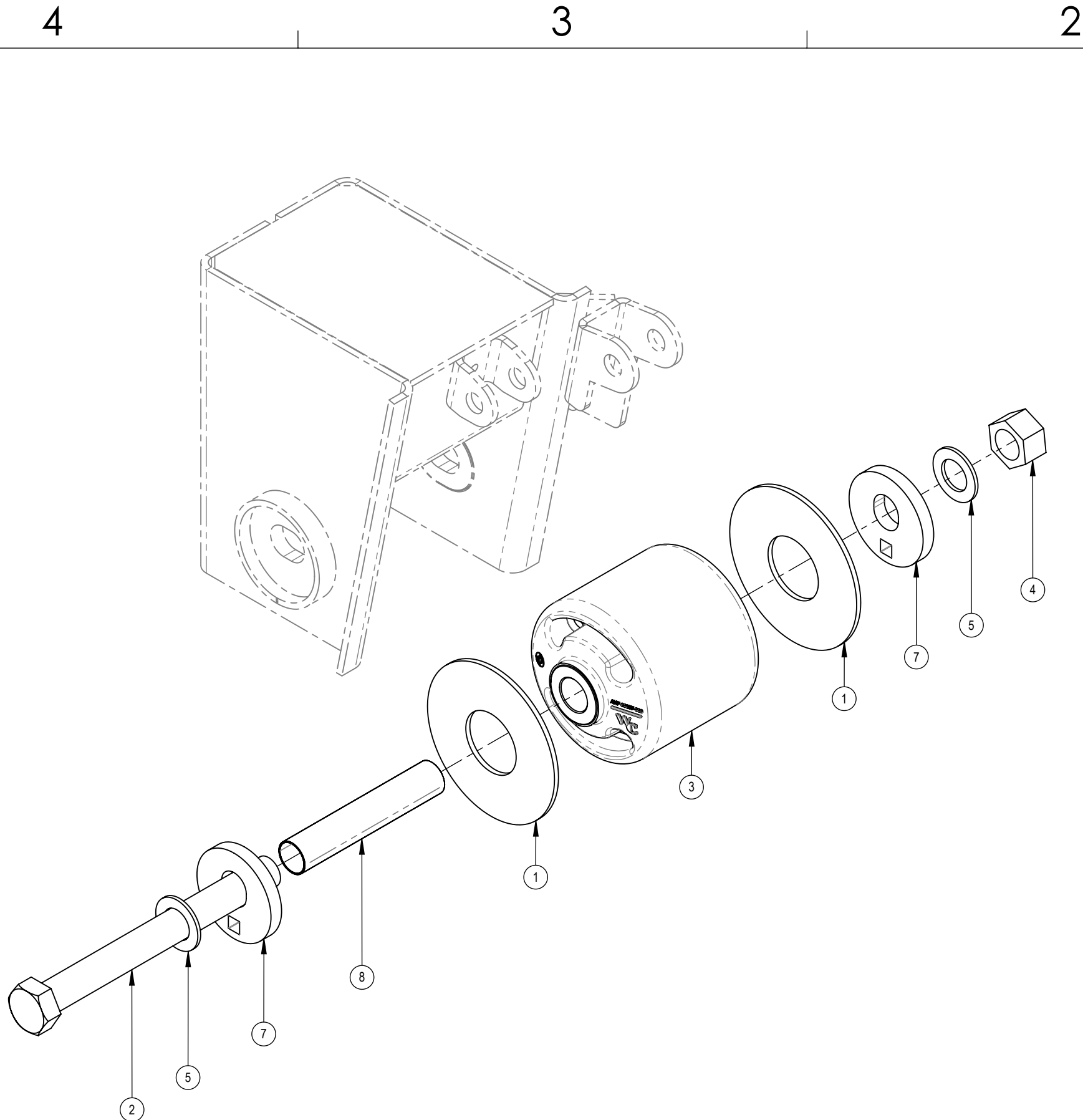


TABLE 1

ITEM NO.	MAKE FROM	DESCRIPTION	SRK64	SRK64I2	SRK64-01	SRK64-012
1	B-11613	WASHER - WEAR, UHMW, 6.00IN OD	4	2	4	2
2	17269	CAPSCREW 1.12-12 10.50"	2	1	2	1
3	17993-125	BUSHING MULTIFNC 1.25ID	2	1	2	1
4	10023	NUT LOCK 1.12 NF GR C	2	1	2	1
5	10045	WASHER, FLAT 1.19X2.00	4	2	4	2
6	17993-LUBE*	LUBE PACKET FOR BUSHING	1	1	1	1
7	17234	PIVOT COLLAR	-	-	4	2
8	A-2068-1	LINER	1	1	1	1
WEIGHT (LBS)			29.00	14.50	33.50	16.75

* NOT SHOWN

WATSON AND CHALIN MANUFACTURING INC
725 EAST UNIVERSITY DRIVE, MCKINNEY, TEXAS 75069

UNLESS OTHERWISE SPECIFIED DIMENSIONS ARE IN INCHES ANGLES X.X X.XX X.XXX ± 1.0° ± 0.1 ± 0.06 ± 0.030 INTERPRET DIMENSIONS AND TOLERANCES PER ASME Y14.5-2009	ALL WATSON AND CHALIN INTELLECTUAL PROPERTY & PROPRIETARY INFORMATION IS PROTECTED BY U.S. & INTERNATIONAL COPYRIGHT LAWS. ANY USE WITHOUT THE EXPRESS WRITTEN PERMISSION OF WATSON AND CHALIN IS PROHIBITED.
THIRD ANGLE PROJECTION PER ASME Y14.3-2013 	DESCRIPTION: BUSHING REPLACEMENT PARTS
DWG NO.: SRK64	
DATE: 10/23/2006 SHEET NO.: 2 OF 2 SHEET SCALE: 1:4 SHEET SIZE: B	