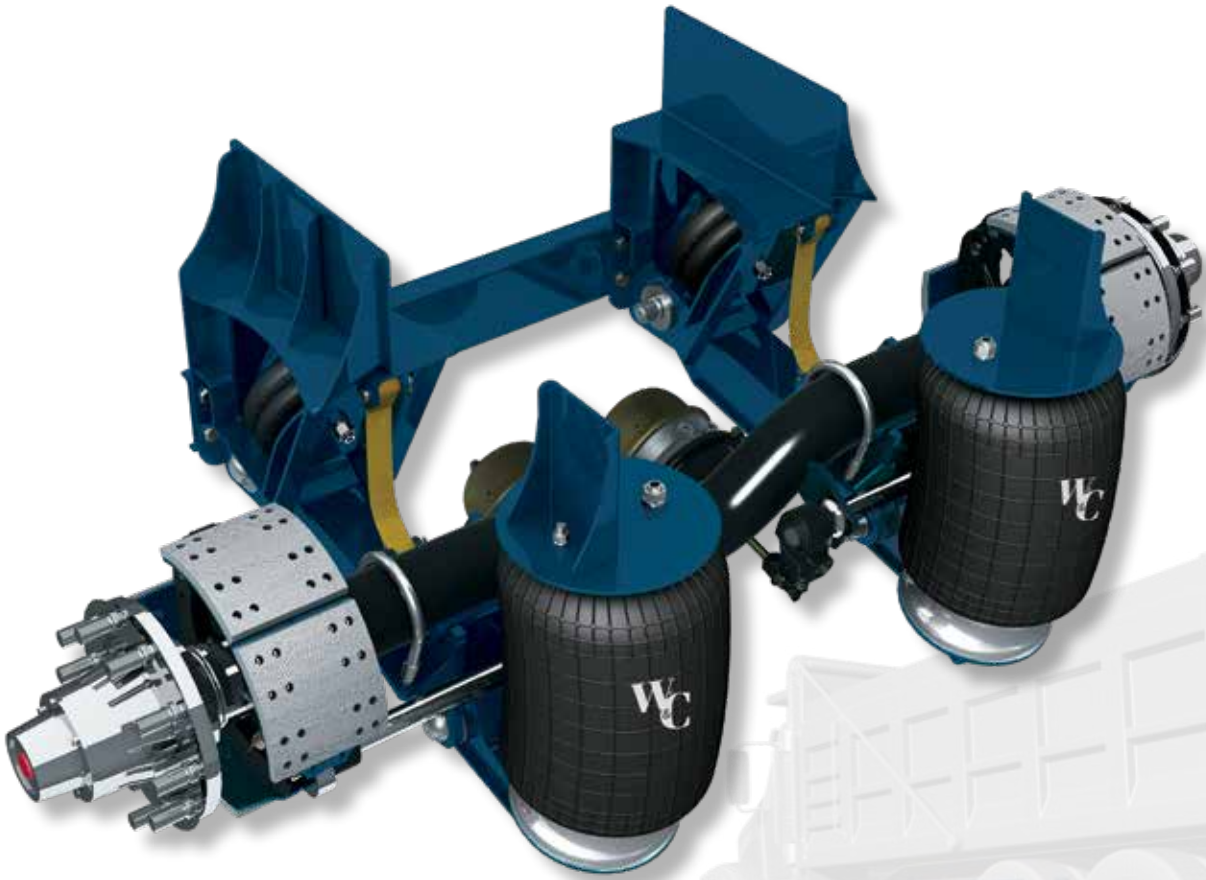


AL25K

AL

NON-STEERABLE LIFT AXLE SUSPENSION SYSTEM



AL25K

The **AL25K** non-steerable lift axle suspension system has been an industry standard for many years with proven performance and durability. It is available for pusher or tag applications such as dump, refuse, heavy-haul and logging.

- 25,000-pound suspension capacity
- Ride heights up to 15 inches
- Two-pin axle connection with rubber bushings
- Positive axle stop straps
- Straight or drop axles (6 and 9 inches)
- 5-year limited warranty*

* Contact your local W&C representative for complete warranty terms, conditions and limitations.



For more information, call 800.445.0736

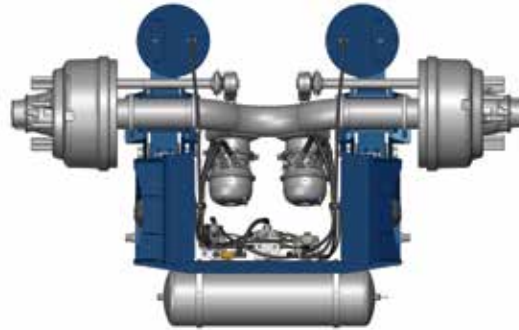


W&C is a brand of Hendrickson

Value-added options and critical dimensions

Pre-Plumbing System

- Fewer fittings reduce leak potential
- Better response when air is engaged
- Helps save time and money during the installation
- 100 percent leak tested at the factory



*Actual product performance may vary depending upon vehicle configuration, operation, service and other factors.
All applications must comply with applicable specifications from Watson & Chalin and the respective vehicle manufacturer.
Contact Watson & Chalin for additional details regarding specifications, applications, capacities, and operation, service and maintenance instructions.*

Contact W&C at 972.547.6020 for additional information.



W&C
725 E. University Drive, McKinney, Texas 75069
972.547.6020 • 800.445.0736 • Fax 972.542.0097
www.wcsuspensions-intl.com

