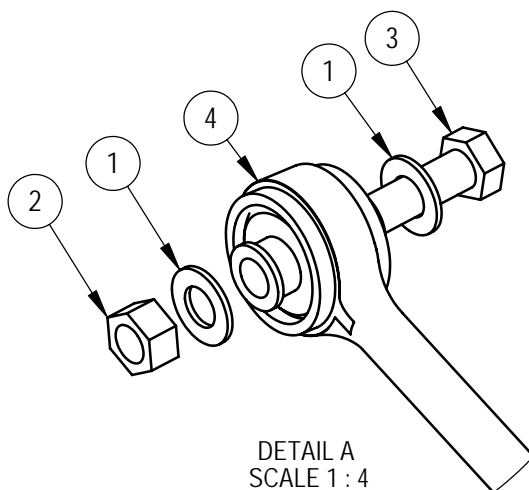
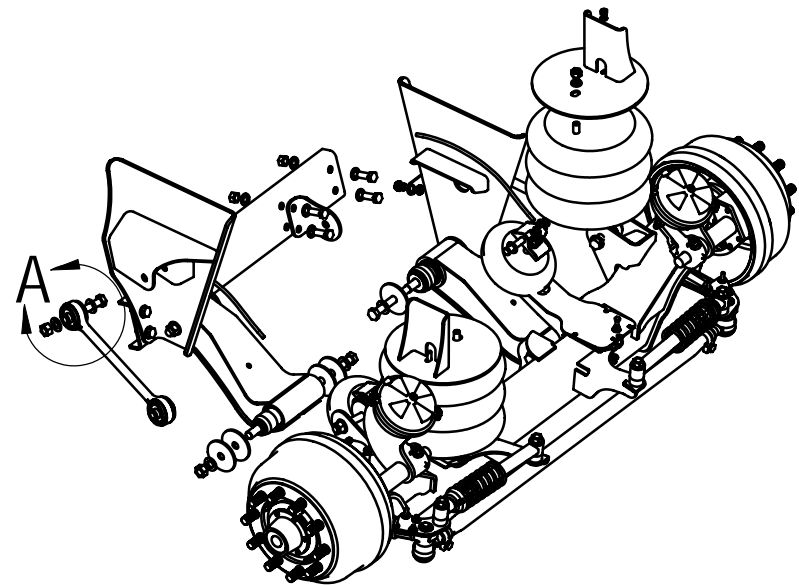


REV.	DESCRIPTION	ECN	DATE	BY
A	NEW DRAWING	C-5457	5/19/2008	DRB

SERVICE REPAIR KIT SRK2055-1			SL2055 TORQUE ROD REPAIR KIT
ITEM	PART NO.	QTY	DESCRIPTION
1	17010	8	WASHER FLAT .88X1.5
2	11457	4	NUT LOCK .88-14
3	17238-5	4	CAPSCREW .87 X 5.00 UNF
4	17832	2	TORQUE ROD 20K TT



MATERIAL INFO.	DEPTS AFFECTED	TOLERANCES (EXCEPT AS NOTED)	DESCRIPTION: SRK2055-1 TORQUE ROD REPAIR KIT	
STEEL PART NO.		DECIMAL $\pm .03$	PREVIOUS ASSY:	-
MATERIAL:	-	FRACTIONAL $\pm 1/32$	SUSPENSION MODEL:	-
WEIGHT:	-	ANGULAR $\pm 0.5^\circ$	SCALE: 1:24	
		DATE: 5/19/2008	DRAWN BY: DRB	
		SIZE: A	DRAWING NO: SRK2055-1	

