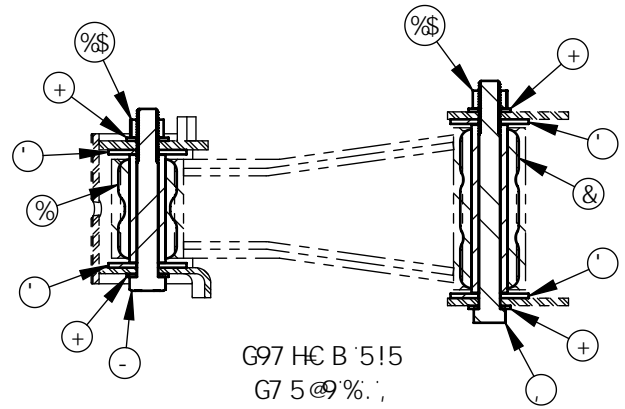
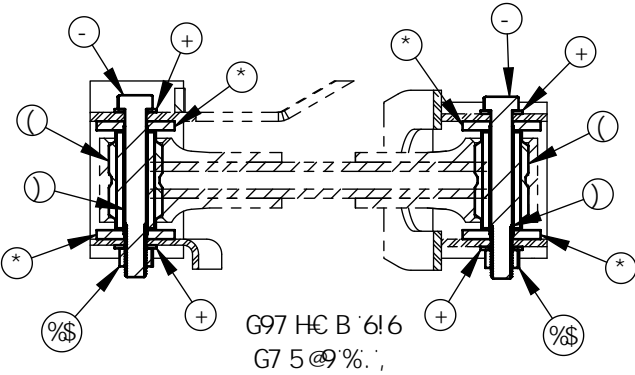


F9J "	89G7 F-DHC B	97 B	85H9	6M
5	B9K 8F5K -B;	' \$\$) &	,\$ #&+##&\$%)	7FA

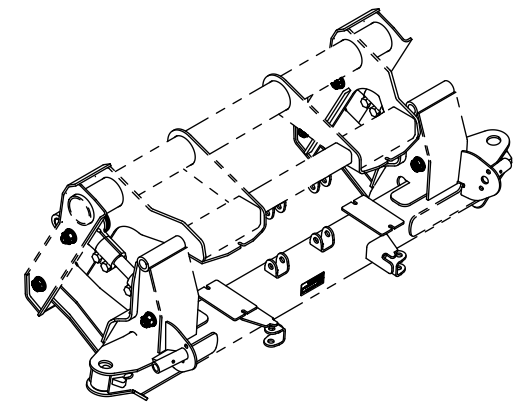
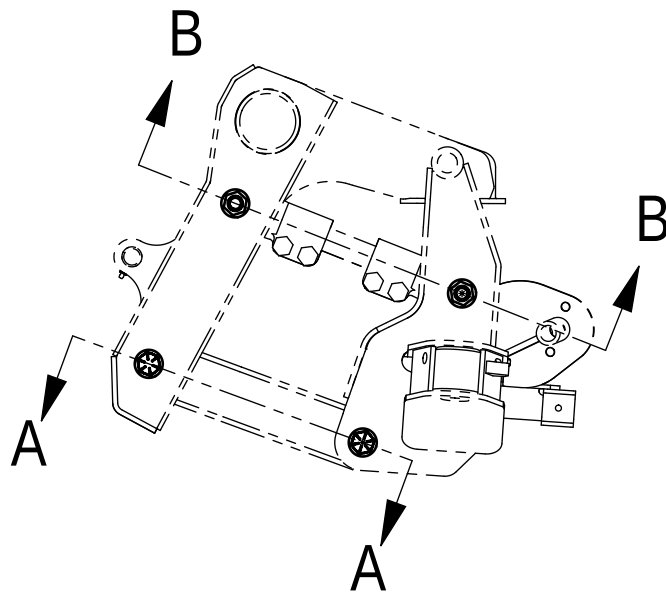
ITEM NO.	QTY	PART NUMBER	DESCRIPTION
1	2	12931-01	BUSHING SL1100LW 7/8" ID
2	2	12932-01	AXLE SEAT BUSHING
3	8	12927-01	PIVOT WASHER
4	4	17171	PIVOT BUSHING
5	4	17161-05	DELRIN LINER 7/8" TO 1"
6	8	91085	WASHER, 3.25X.94X.375
7	16	17010	WASHER FLAT .88X1.5 HRD
8	2	19800-12	CAPSCREW 7/8-9 X 9.5
9	6	19800-13	CAPSCREW 7/8-9 X 7.00
10	8	19801-10	NUT LOCK 7/8-9 GR C



G97 HC B '5'15
G7 5 @ % . ;



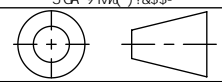
G97 HC B '6'16
G7 5 @ % . ;



5 @ K 5HC B 5B8 7 < 5 @ B ' BHP @ 97 H 5 @
DFC D9FHM/ DFC DF 9H5FM B: C FA 5HC B ' GDFC H97 H98 6MI ' G /
BHP B5HC B5 @ 7 C DMF # < H @ K G ' 5BMI G9K H C I H
H K 9 9 LDF 9GK F # H9B ' D9FA - GGC B C : K 5HC B 5B8 7 < 5 @ B ' DFC < 6 H98 "

GD97 5 @ 7 < 5 F 57 H9F GH7 G
GMA 6C @ @ 9 B8
2L LLO K # 7 7 F # 7 5 @ 8 A
fL LLL : C F F 9 : 9 F 9 B 7 9 C B @ M
H L L L 89G # B 5HG 5 - " % & ' HC @
L L L L 89G # B 5HG 5 ? 9 M
71 G C A 9 F ' 7 < 5 F 57 H9F GH7

I B @ GGC H K 9FK G9 BC H98
HC @ F 5 B 7 9 5 F 9 .
L : Z # " %
LL : Z # " \$ *
LLL : Z # " \$ \$
5B : I @ F . Z # ") °
HC FE I 9 : Z % \$! # \$!
H F 8 5B : @ DFC > 97 HC B
8 A 9B GC BG 58 < 9 F 9 HC
5 GA 9 M (") 1 \$ \$ -



A 5 H9F 5 @
GH99 @ DB "
K 9 # < H ' !
A C 8 9 @ G @ 8 6 ' H K @
8 F 5 K B ' 6 M 7 F A
8 5 H 9 \$, # & + # & \$ %)

K 5HC B / ' 7 < 5 @ B ' A : ; ' B 7
+ &) ' 9 5 GHI B # 9 FG # M 8 F # 9 '
A 7 ? B B 9 M H 9 L 5 G +) \$ * -
H H @ G @ 8 6 ' H K @ 6 I G < B ; ' F 9 D 5 F '
? # H
G < 9 9 H G 7 5 @ G A 9 8 K ; ' B C "
% C : % % % & 5 G F ? % % ' H K @

&

%