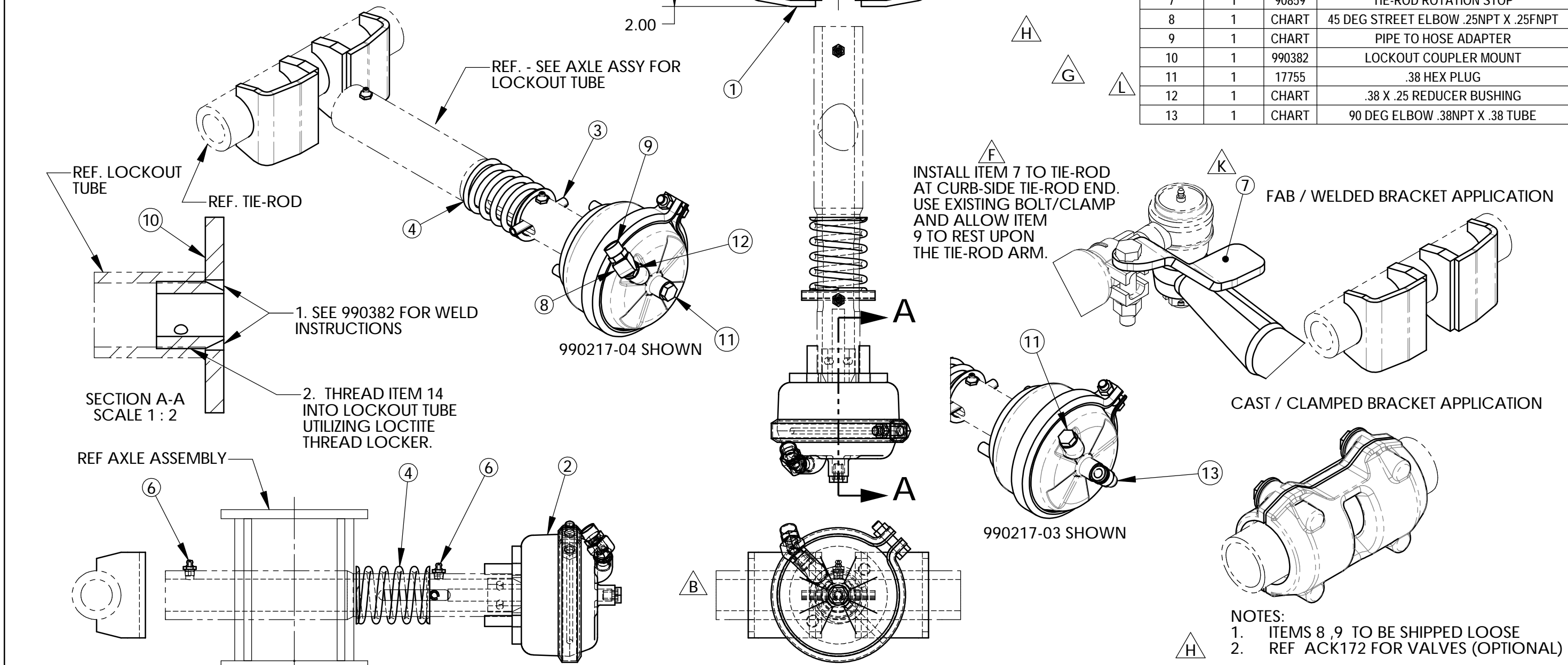


REV.	DESCRIPTION	ECN	DATE	BY
A	NEW DRAWING	2538	4/11/02	HDH
B	ADDED TAB CHART	2656	10/07/02	HDH
C	ADDED ITEM # 7,8 AND 9	2636	11/20/02	HDH
D	ITEM 4 WAS 17705, TO 17878	2721	12/19/02	HDH
E	ADDED ITEMS 10,11 NOTE 1	C3824	2/705	JFF
F	ADDED -04, ITEMS 16 & 17	C4175	8/30/06	GWE
G	ITEM# 14 WAS CALLED OUT AS PIECE PARTS	C4891	9/20/2007	JFF
H	REMOVED 10208,90818 FROM BOM, ADDED NOTE 2	C4965	10/23/2007	JFF
J	REMOVED 18076-13-10(TIE ROD ARM) FROM BOM	C5146	2/1/2008	JFF
K	CORRECTED BALLOON FOR ITEM #7	7744	9/2/2010	CAK
L	ITEM #2 WAS 12430, REVISED CONFIGS -03/-04 WITH FITTINGS FOR .38 PORTS ON CHAMBER	1605	5/6/2013	CRM

ITEM NO.	QTY	PART NUMBER	DESCRIPTION
1	1	CHART	LOCKOUT TIE-ROD BRACKETS
2	1	12430-02	BRAKE CHAMBER TYPE 12
3	1	17700	SPRING PIN .38 X 3.00
4	1	17878	SPRING COMP. 2.34 X 3.00
5	1	90820	LOCKOUT PIN
6	2	11448	GREASE FITTING
7	1	90859	TIE-ROD ROTATION STOP
8	1	CHART	45 DEG STREET ELBOW .25NPT X .25FNPT
9	1	CHART	PIPE TO HOSE ADAPTER
10	1	990382	LOCKOUT COUPLER MOUNT
11	1	17755	.38 HEX PLUG
12	1	CHART	.38 X .25 REDUCER BUSHING
13	1	CHART	90 DEG ELBOW .38NPT X .38 TUBE



NOTES:  
 1. ITEMS 8, 9 TO BE SHIPPED LOOSE  
 2. REF ACK172 FOR VALVES (OPTIONAL)

PART NO.	TIE-ROD DIAMETER	BRACKET TYPE/APPLICATION	ITEM #1	ITEM #8	ITEM #9	ITEM #12	ITEM #13	APPLICATION
990217-01	2.00"	FAB / WELDED	990227				N/A	
990217-02	2.50"	FAB / WELDED	990226	N/A	N/A	N/A		
990217-03	2.50"	CAST / CLAMP	990222				17639	
990217-04	2.50"	CAST / CLAMP	990222	17941-41	17941-42	17648	N/A	KENWORTH 20K

DEPTS AFFECTED	TOLERANCES EXCEPT AS NOTED	DESCRIPTION:			
36	± .06	TIE-ROD LOCKOUT BRACKETS			
-	± 1/16	SUSPENSION MODEL:	SCALE:	SHEET:	PREVIOUS ASSY:
-	± 1°	SL-2095TT	1:2	1 OF 1	100249
		DATE:	CHKD BY:	DRAWN BY:	SIZE
		4/11/2002	-	HDH	B
					DRAWING NO.:
					990217

